

PETERBILT



PETERBILT MODELS

330



335



377



377B &
385 SHORT



378 S/B/A
& 378
S/F/A



379
SHORT &
EXTENDED



386



387



PET
379 HOOD
PARTS





01 HOODS 02 GRILLES

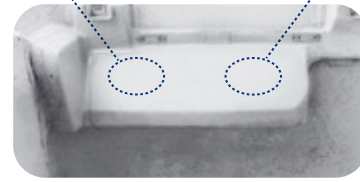
THIS IS A TITAN HOODS AFTERMARKET REPLACEMENT PART AND IT IS IN NO WAY AFFILIATED OR SOURCED FROM OR FOR THE OEM MANUFACTURER.

01 HOODS



Option 1
Air intake lateral

Option 2
Air intake central



Customer to cut as needed

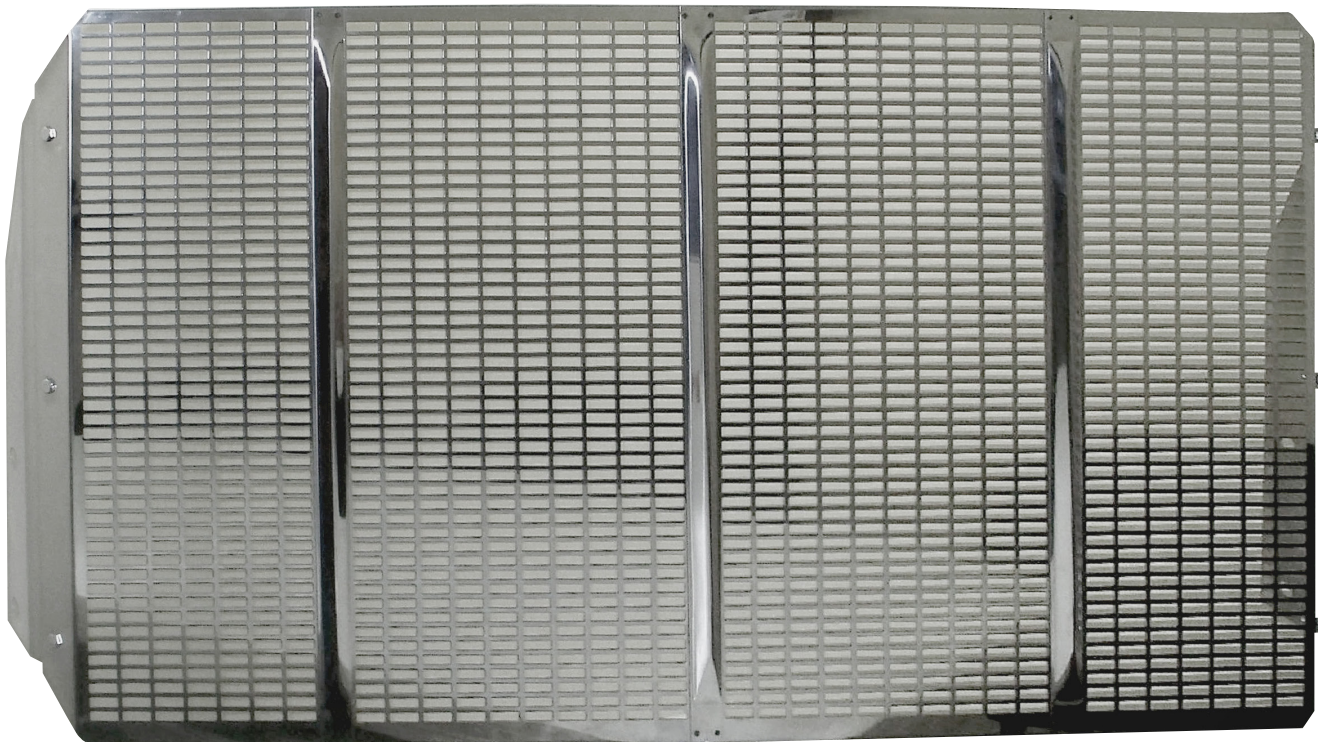
P0560A-M
Peterbilt 330.
1995 to 2004.

Air intake under hood is NOT cut out. This universal hood allows the customer to make the cut where they need for their application (center or left cut). Fits early and late model, uses the new headlight (seal beam) with bezel. Will not fit ISC Cummings Engine. For later series, order part number P1060A-M.

BUYING THE RIGHT PART: TO THE BEST OF OUR KNOWLEDGE, ALL CROSS REFERENCE, APPLICATION INFORMATION AND PHOTOS ARE ACCURATE.

02 GRILLES

STAINLESS STEEL



PG0560A
Pet 330 grille stainless steel.

PETERBILT

335 (2006 AND UP)

P-2



01 HOODS

THIS IS A TITAN HOODS AFTERMARKET REPLACEMENT PART AND IT IS IN NO WAY AFFILIATED OR SOURCED FROM OR FOR THE OEM MANUFACTURER.

01 HOODS



P1060A-M

Peterbilt 335.

2006 and up.

Composite Headlights.

Tear drop headlight.

Large wheel 22.5", not for 19.5" wheel.

For Peterbilt 330 (2009 and up, with tear drop headlight),

337 (2010 and up), 340 (2006 and up), 348 (2010 and up).

Fits both intakes. Customer will need to cutout for their truck application.

OEM Number: L29-6027-101, L29-6027-201.

BUYING THE RIGHT PART: TO THE BEST OF OUR KNOWLEDGE, ALL CROSS REFERENCE, APPLICATION INFORMATION AND PHOTOS ARE ACCURATE.

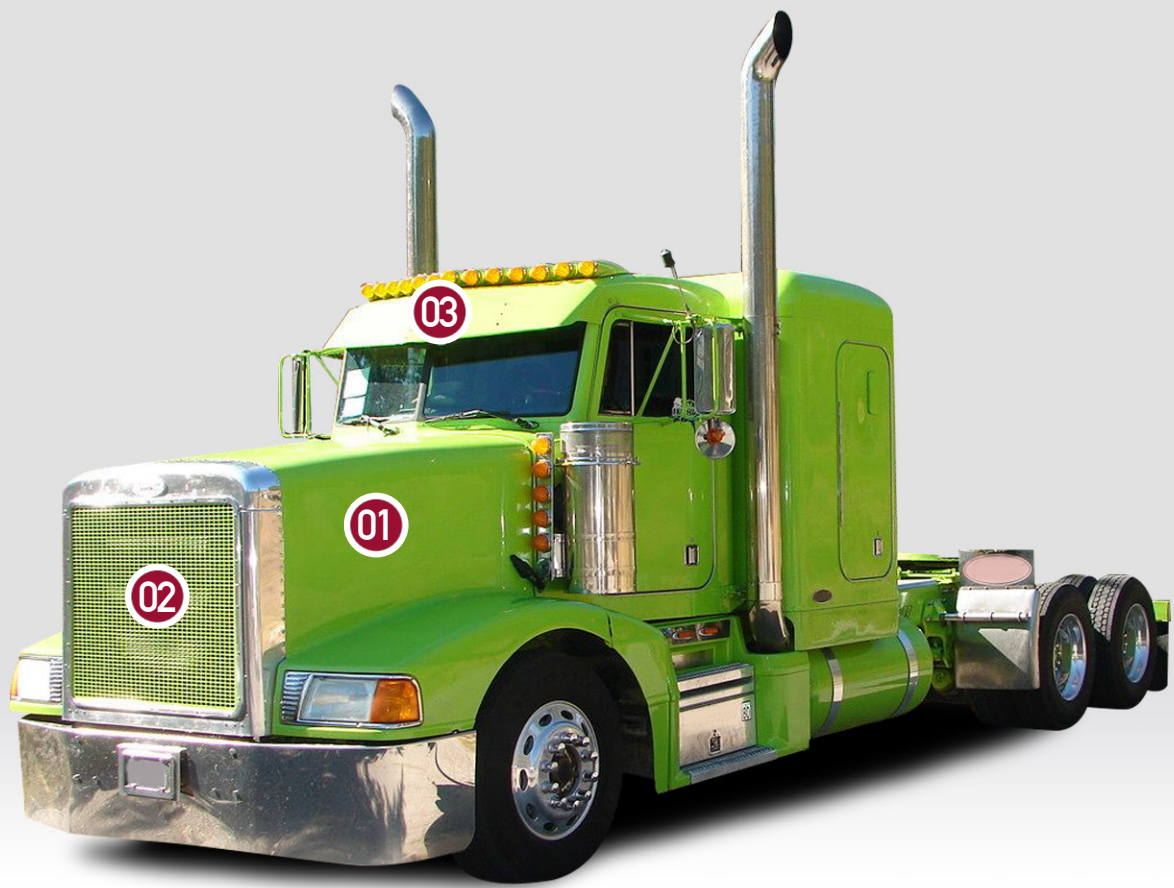


TITANHOODS

TRACTOCAMIONES Y REPRESENTACIONES S.A. DE C.V.

PROMOTORA EXPORMEX S.A. DE C.V.

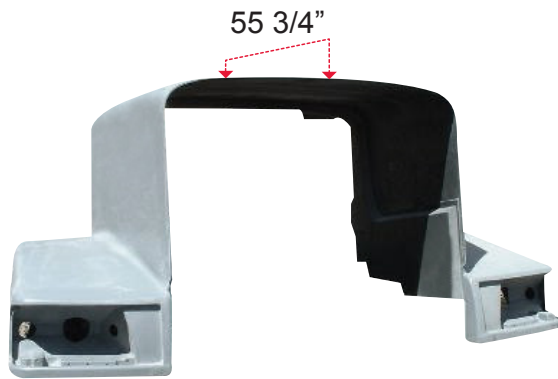
COFRES Y PARTES DE COLISION • HOODS AND COLLISION PARTS



01 HOODS **02 GRILLES & TRIMS** **03 FLAT ROOF**

THIS IS A TITAN HOODS AFTERMARKET REPLACEMENT PART AND IT IS IN NO WAY AFFILIATED OR SOURCED FROM OR FOR THE OEM MANUFACTURER.

01 HOODS



P0360A

Peterbilt 377 S/B/A.

Up to 1997. Call could be a Peterbilt 377B.

Set Back Axle.

Short fenders.

Does not fit 377B and 385 Long.

For air intake on both sides of hoods use P0360C-M (Peterbil 377B or 385 long).

For air intake on Left Hand Side use P0660A-M (Peterbil 385 short.

After August 1996 use earlier headlights.

OEM Number: 13-04231, 13-04564A101.

BUYING THE RIGHT PART: TO THE BEST OF OUR KNOWLEDGE, ALL CROSS REFERENCE, APPLICATION INFORMATION AND PHOTOS ARE ACCURATE.

02 GRILLES & TRIMS



STAINLESS STEEL

PG0160P

Pet 377 trim set without holes stainless steel.



STAINLESS STEEL

PG0161

Pet 377/378 / 379 short grille stainless steel



Aluminum

PG0162A

Bezel grille for Pet 377/378 / 379 short. Grille insert trim, aluminum.



25 pieces

Polished stainless to replace huck rivets

85 pieces

195
Peterbilt 357 / 377 / 378 / 379 / 385.
Kit of bolts.

03 FLAT ROOF



P01-TOL

Peterbilt roof fairing, fits all cabs with flat roof.

377B & 385 SHORT

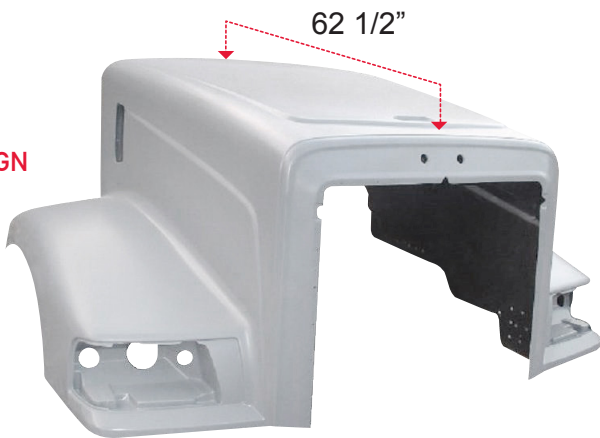


01 HOODS **02 GRILLES & TRIMS** **03 FLAT ROOF**

THIS IS A TITAN HOODS AFTERMARKET REPLACEMENT PART AND IT IS IN NO WAY AFFILIATED OR SOURCED FROM OR FOR THE OEM MANUFACTURER.

01 HOODS

MODIFIED DESIGN



P0360C-M

Peterbilt 377B.
1998 to 2007.
Also known as Peterbilt 385 long.
Air intakes both sides.
Does not fit Peterbilt 385 short, for it use P0660A-M.
OEM Number: 13-04614UNF.

MODIFIED DESIGN



P0660A-M

Peterbilt 385 Short.
2000 to 2004.
Air intake left side only, verticle shape.
For early hood, buy late model.
Locator bracket which will fit this hood.
OEM Number: 13-04707UNF, 1304388.

BUYING THE RIGHT PART: TO THE BEST OF OUR KNOWLEDGE, ALL CROSS REFERENCE, APPLICATION INFORMATION AND PHOTOS ARE ACCURATE.

02 GRILLES & TRIM

STAINLESS STEEL



PG0660A
Pet 357/385/ 377B
trim set stainless steel.

STAINLESS STEEL



PG0661A
Peterbilt 357/ 385/377B
grille stainless steel.

Aluminum



PG0662A
Peterbilt 357/377B/ 385
Grille insert trim,
aluminum.

195
Peterbilt 357 / 377 /
378 / 379 / 385.
Kit of bolts.



25 pieces

Polished stainless to
replace huck rivets

85 pieces

03 FLAT ROOF



P01-TOL
Peterbilt roof fairing, fits all cabs with flat roof.

PETERBILT

378 S/B/A & 378 S/F/A / 357

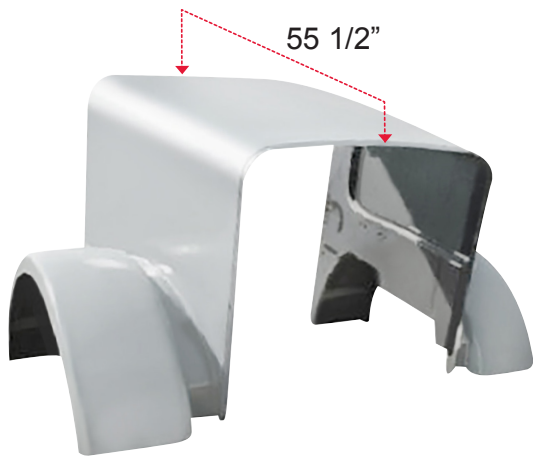
P-6



- 01** HOODS
- 02** GRILLES & TRIMS
- 03** FLAT ROOF
- 04** FENDERS

THIS IS A TITAN HOODS AFTERMARKET REPLACEMENT PART AND IT IS IN NO WAY AFFILIATED OR SOURCED FROM OR FOR THE OEM MANUFACTURER.

01 HOODS



P0460AB

Peterbilt 378/357 SFA.
1987 to 2007.
Set Forward Axle.
Complete fender.
119" BBC model.

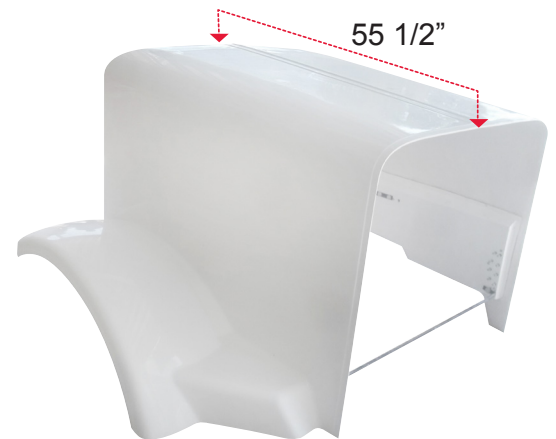
Uses wider step between fender and grill than earlier models.

Will not fit hood with removable fenders (P0960A).

Will not fit 379 short aluminum hood (P0860B-G)

or 357 short (111" BBC).

OEM Number: 13-03520, 13-03732, 13-04010, 13-04206,
13-04207, 13-04516-A401, 13-04562-A101, 13-04562-A201,
13-04674-A101, 13-04674-A401, 13-04690, 13-04820-A101,
13-04820-A401, 13-04821UNF, 13-04823UNF.



P0460C

Peterbilt 378/357 SBA.
1997 a 2006.
Set back Axle.
119" BBC.

The 4 Bolt holes for hinge mount are in a straight line and of set line.

Will not fit hood with removable fenders (P0960A-M).

Will fit early and late models.

Will not fit slope nose.

OEM Numbers 13-04216 & 13-04813UNF require pictures and measurements to verify hood. Please call for more information.

OEM Número:13-04810A101. 13-04811UNF.

BUYING THE RIGHT PART: TO THE BEST OF OUR KNOWLEDGE, ALL CROSS REFERENCE, APPLICATION INFORMATION AND PHOTOS ARE ACCURATE.

02 GRILLES & TRIMS



PG0160H

Pet 378 trim set with holes
stainless steel.



PG0161

Pet 377/378 / 379
short grille
stainless steel



PG0162A

Pet 377/378 / 379 Short.
Grille insert trim,
aluminum.



195
Peterbilt 357 / 377 /
378 / 379 / 385.
Kit of bolts.

25 pieces

Polished stainless to
replace huck rivets

85 pieces

03 FLAT ROOF



P01-TOL

Peterbilt roof fairing, fits all cabs with flat roof.

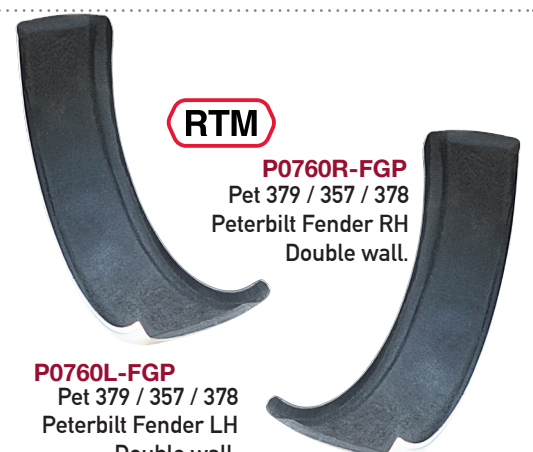
04 FENDERS



RTM

P0760R-FG-SW TM
Pet 379 / 357 / 378 fiberglass
fender single wall RH.

P0760L-FG-SW TM
Pet 379 / 357 / 378 fiberglass fender
single wall LH.



RTM

P0760R-FGP
Pet 379 / 357 / 378
Peterbilt Fender RH
Double wall.

P0760L-FGP
Pet 379 / 357 / 378
Peterbilt Fender LH
Double wall.

PETERBILT

379 SHORT & EXTENDED (1987 TO 2007)

P-7

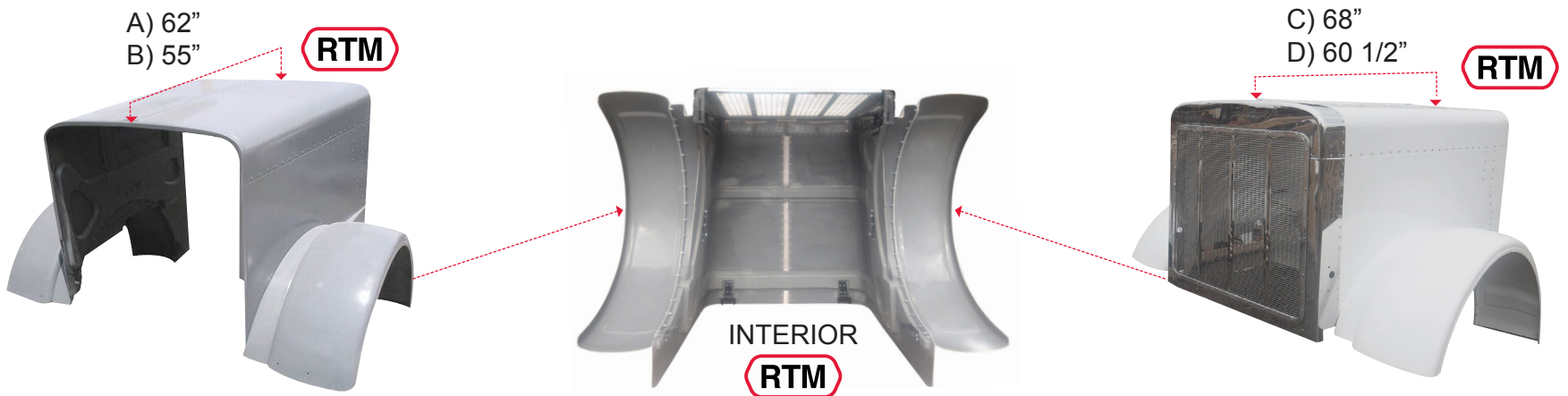
RTM
Fiberglass



01 HOODS **02 GRILLES & TRIMS** **03 AIR CLEANERS** **04 FENDERS** **05 FLAT ROOF** **06 OTHER PARTS**

THIS IS A TITAN HOODS AFTERMARKET REPLACEMENT PART AND IT IS IN NO WAY AFFILIATED OR SOURCED FROM OR FOR THE OEM MANUFACTURER.

01 HOODS



A **P0760A**
Peterbilt 379 Extended.
1987 to 2007.
Extended fiberglass hood W/O grille and surround stainless steel.

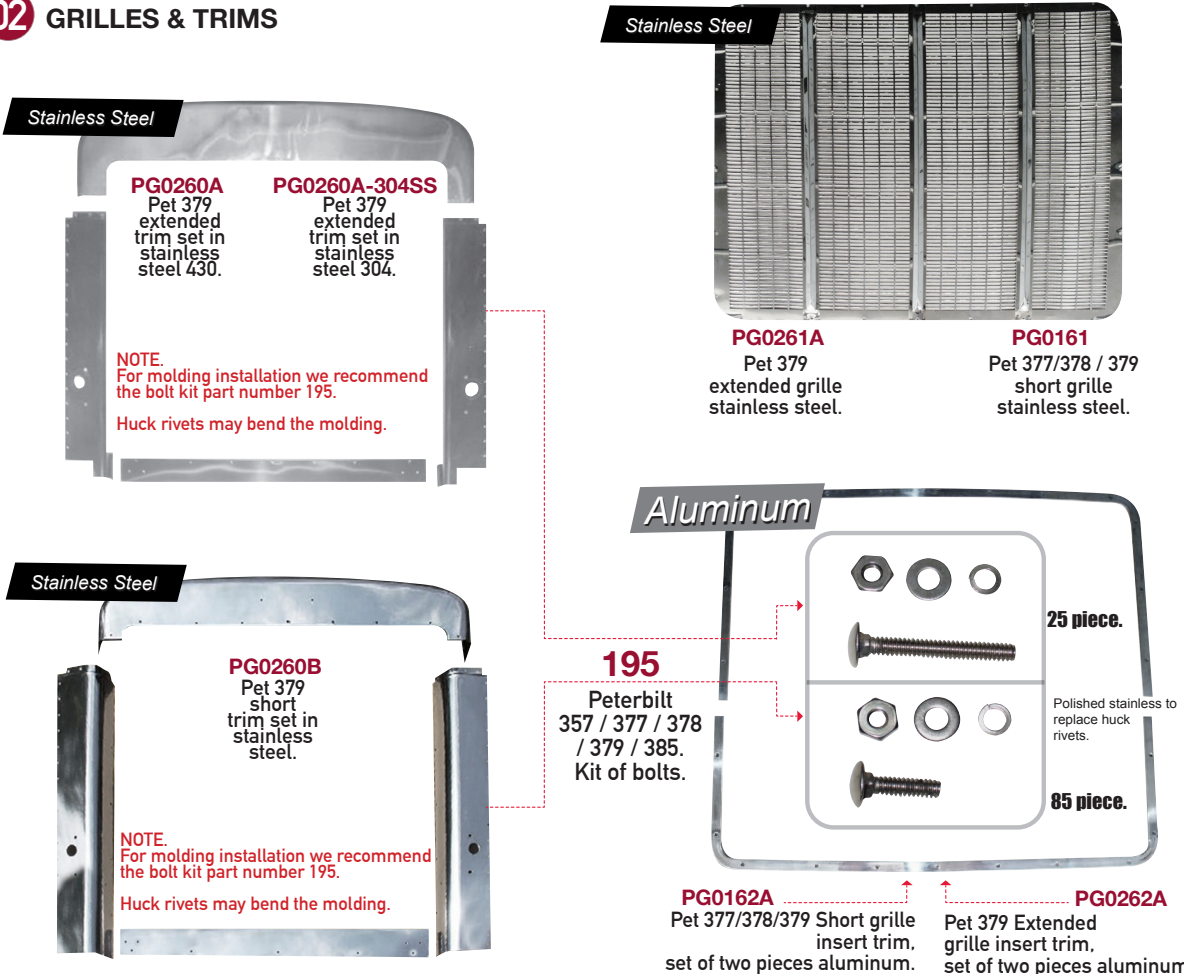
B **P0760B**
Peterbilt 379 Short.
1987 to 2007.
Short fiberglass hood W/O grille and surround stainless steel.

C **P0760A-G**
Peterbilt 379 Extended.
1987 to 2007.
Extended fiberglass hood WITH grille and surround stainless steel.
Manufactured in two piece.
127\"/>

D **P0760B-G** *Fiberglass*
Peterbilt 379 Short.
1987 to 2007.
Short fiberglass hood WITH grille and surround stainless steel.
119\"/>

BUYING THE RIGHT PART: TO THE BEST OF OUR KNOWLEDGE, ALL CROSS REFERENCE, APPLICATION INFORMATION AND PHOTOS ARE ACCURATE.

02 GRILLES & TRIMS



PG0260A
Pet 379 extended trim set in stainless steel 430.

PG0260A-304SS
Pet 379 extended trim set in stainless steel 304.

NOTE.
For molding installation we recommend the bolt kit part number 195.
Huck rivets may bend the molding.

PG0260B
Pet 379 short trim set in stainless steel.

NOTE.
For molding installation we recommend the bolt kit part number 195.
Huck rivets may bend the molding.

PG0261A
Pet 379 extended grille stainless steel.

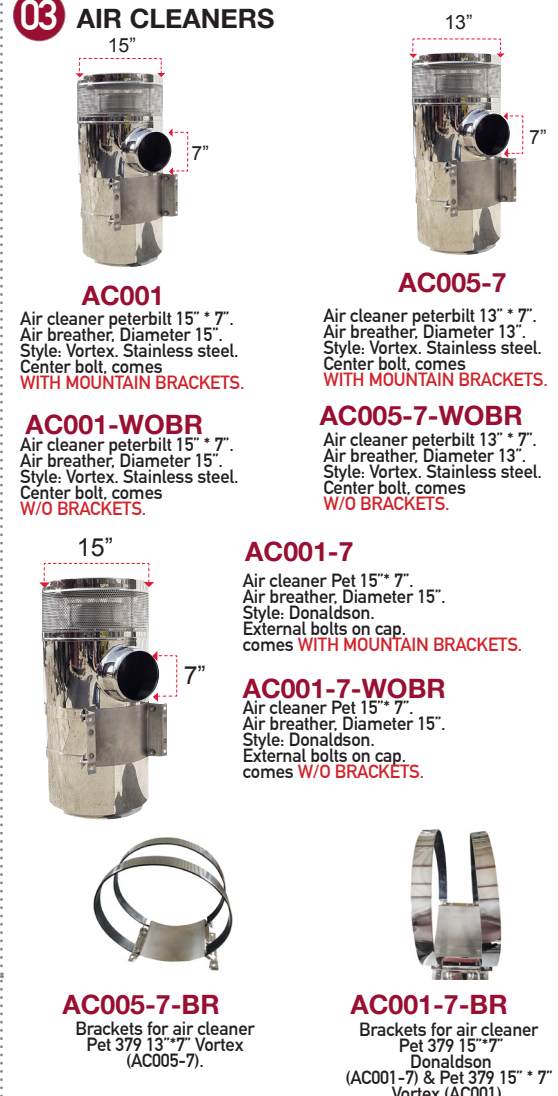
PG0161
Pet 377/378 / 379 short grille stainless steel.

Aluminum
195
Peterbilt 357 / 377 / 378 / 379 / 385.
Kit of bolts.
25 piece.
85 piece.
Polished stainless to replace huck rivets.

PG0162A
Pet 377/378/379 Short grille insert trim, set of two pieces aluminum.

PG0262A
Pet 379 Extended grille insert trim, set of two pieces aluminum.

03 AIR CLEANERS



AC001
Air cleaner peterbilt 15" * 7".
Air breather, Diameter 15".
Style: Vortex. Stainless steel.
Center bolt, comes WITH MOUNTAIN BRACKETS.

AC005-7
Air cleaner peterbilt 13" * 7".
Air breather, Diameter 13".
Style: Vortex. Stainless steel.
Center bolt, comes WITH MOUNTAIN BRACKETS.

AC001-WOBR
Air cleaner peterbilt 15" * 7".
Air breather, Diameter 15".
Style: Vortex. Stainless steel.
Center bolt, comes W/O BRACKETS.

AC005-7-WOBR
Air cleaner peterbilt 13" * 7".
Air breather, Diameter 13".
Style: Vortex. Stainless steel.
Center bolt, comes W/O BRACKETS.

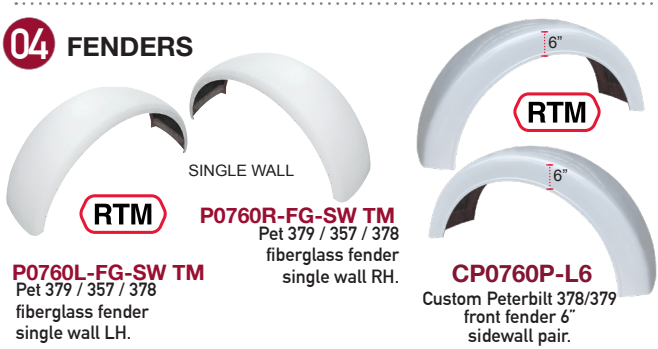
AC001-7
Air cleaner Pet 15" * 7".
Air breather, Diameter 15".
Style: Donaldson.
External bolts on cap, comes WITH MOUNTAIN BRACKETS.

AC001-7-WOBR
Air cleaner Pet 15" * 7".
Air breather, Diameter 15".
Style: Donaldson.
External bolts on cap, comes W/O BRACKETS.

AC005-7-BR
Brackets for air cleaner Pet 379 13" * 7" Vortex (AC005-7).

AC001-7-BR
Brackets for air cleaner Pet 379 15" * 7" Donaldson (AC001-7) & Pet 379 15" * 7" Vortex (AC001).

04 FENDERS



P0760L-FG-SW TM
Pet 379 / 357 / 378 fiberglass fender single wall LH.

P0760R-FG-SW TM
Pet 379 / 357 / 378 fiberglass fender single wall RH.

CP0760P-L6
Custom Peterbilt 378/379 front fender 6" sidewall pair.

P0760L-FGP
Pet 379 / 357 / 378 Peterbilt fender LH, double wall.

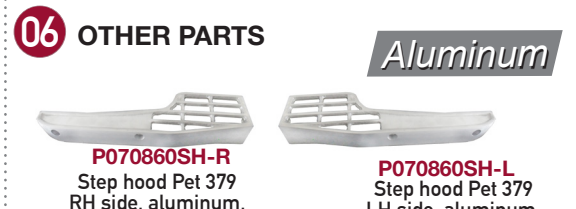
P0760R-FGP
Pet 379 / 357 / 378 Peterbilt fender RH, double wall.

05 FLAT ROOF



P01-TOL
Peterbilt roof fairing, fits all cabs with flat roof.

06 OTHER PARTS



P070860SH-R
Step hood Pet 379 RH side, aluminum.

P070860SH-L
Step hood Pet 379 LH side, aluminum.

PETERBILT

379 SHORT & EXTENDED (1987 TO 2007)

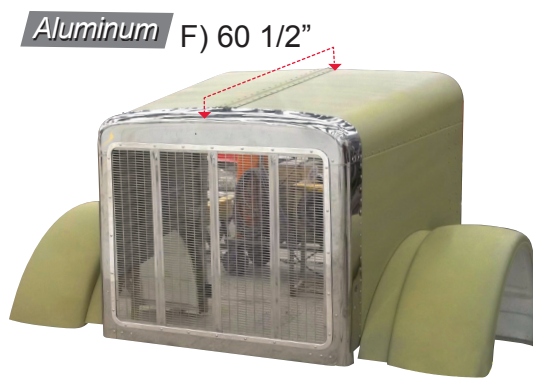
P-7
Aluminum



01 HOODS **02** GRILLES & TRIMS **03** AIR CLEANERS **04** FENDERS **05** FLAT ROOF **06** OTHER PARTS

THIS IS A TITAN HOODS AFTERMARKET REPLACEMENT PART AND IT IS IN NO WAY AFFILIATED OR SOURCED FROM OR FOR THE OEM MANUFACTURER.

01 HOODS



P0860A-G

Peterbilt 379 Extended.
1987 to 2007.
Extended aluminum hood WITH grille and surround stainless steel. With fenders and some interior parts in fiberglass.
127" BBC.
OEM Number: L29-6062, 13-03550 & 13-03553.

E

P0860B-G

Peterbilt 379 Short.
1987 to 2007.
Short aluminum hood WITH grille and surround stainless steel. With fenders and some interior parts in fiberglass.
127" BBC.
OEM Number: 13-03552, L29-6061.

F

P0860C-G

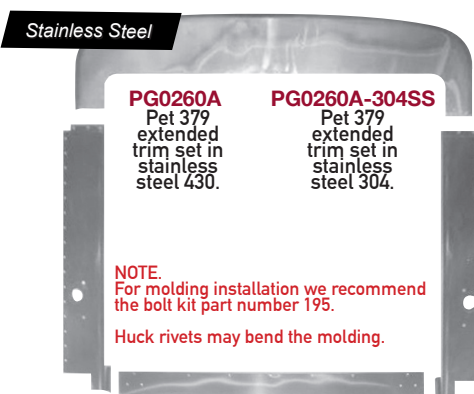
Peterbilt 379 Short - Tall (Hybrid).
Short - Tall aluminum hood WITH grille and surround stainless steel.
127" BBC.
With fenders and some interior parts in fiberglass.

G

Aluminum fender will fit.
External design like 379 but fabricated with reinforced plastic.
Has external rivets design, featured.
BBC 127".

BUYING THE RIGHT PART: TO THE BEST OF OUR KNOWLEDGE, ALL CROSS REFERENCE, APPLICATION INFORMATION AND PHOTOS ARE ACCURATE.

02 GRILLES & TRIMS



PG0260A
Pet 379 extended trim set in stainless steel 430.

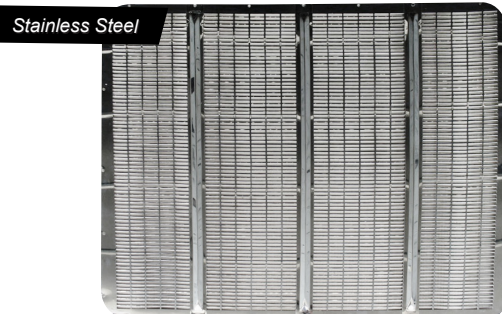
PG0260A-304SS
Pet 379 extended trim set in stainless steel 304.

NOTE.
For molding installation we recommend the bolt kit part number 195.
Huck rivets may bend the molding.



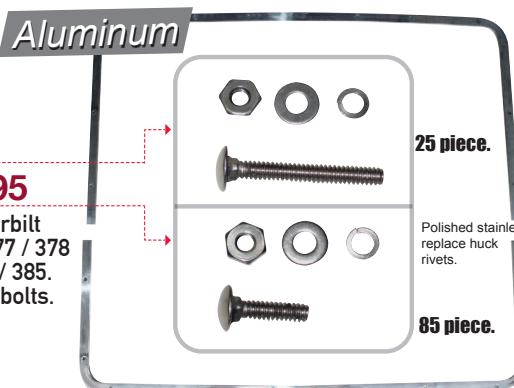
PG0260B
Pet 379 short trim set in stainless steel.

NOTE.
For molding installation we recommend the bolt kit part number 195.
Huck rivets may bend the molding.



PG0261A
Pet 379 extended grille stainless steel.

PG0161
Pet 377/378 / 379 short grille stainless steel.



195
Peterbilt 357 / 377 / 378 / 379 / 385.
Kit of bolts.

25 piece.
Polished stainless to replace huck rivets.

85 piece.

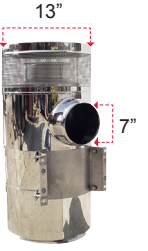
PG0162A
Pet 377/378/379 Short grille insert trim, set of two pieces aluminum.

PG0262A
Pet 379 Extended grille insert trim, set of two pieces aluminum.

03 AIR CLEANERS



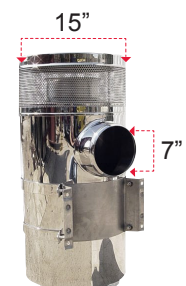
AC001
Air cleaner peterbilt 15" * 7".
Air breather, Diameter 15".
Style: Vortex. Stainless steel.
Center bolt, comes WITH MOUNTAIN BRACKETS.



AC005-7
Air cleaner peterbilt 13" * 7".
Air breather, Diameter 13".
Style: Vortex. Stainless steel.
Center bolt, comes WITH MOUNTAIN BRACKETS.

AC001-WOBR
Air cleaner peterbilt 15" * 7".
Air breather, Diameter 15".
Style: Vortex. Stainless steel.
Center bolt, comes W/O BRACKETS.

AC005-7-WOBR
Air cleaner peterbilt 13" * 7".
Air breather, Diameter 13".
Style: Vortex. Stainless steel.
Center bolt, comes W/O BRACKETS.



AC001-7
Air cleaner Pet 15" * 7".
Air breather, Diameter 15".
Style: Donaldson.
External bolts on cap, comes WITH MOUNTAIN BRACKETS.

AC001-7-WOBR
Air cleaner Pet 15" * 7".
Air breather, Diameter 15".
Style: Donaldson.
External bolts on cap, comes W/O BRACKETS.



AC005-7-BR
Brackets for air cleaner Pet 379 13" * 7" Vortex (AC005-7).



AC001-7-BR
Brackets for air cleaner Pet 379 15" * 7" Donaldson (AC001-7) & Pet 379 15" * 7" Vortex (AC001).

04 FENDERS



P0760L-FG-SW TM
Pet 379 / 357 / 378 fiberglass fender single wall LH.

P0760R-FG-SW TM
Pet 379 / 357 / 378 fiberglass fender single wall RH.



CP0760P-L6
Custom Peterbilt 378/379 front fender 6" sidewall pair.



P0760R-FGP
Pet 379 / 357 / 378 Peterbilt fender RH double wall.

P0760L-FGP
Pet 379 / 357 / 378 Peterbilt fender LH double wall.

05 FLAT ROOF



P01-TOL
Peterbilt roof fairing, fits all cabs with flat roof.

06 OTHER PARTS



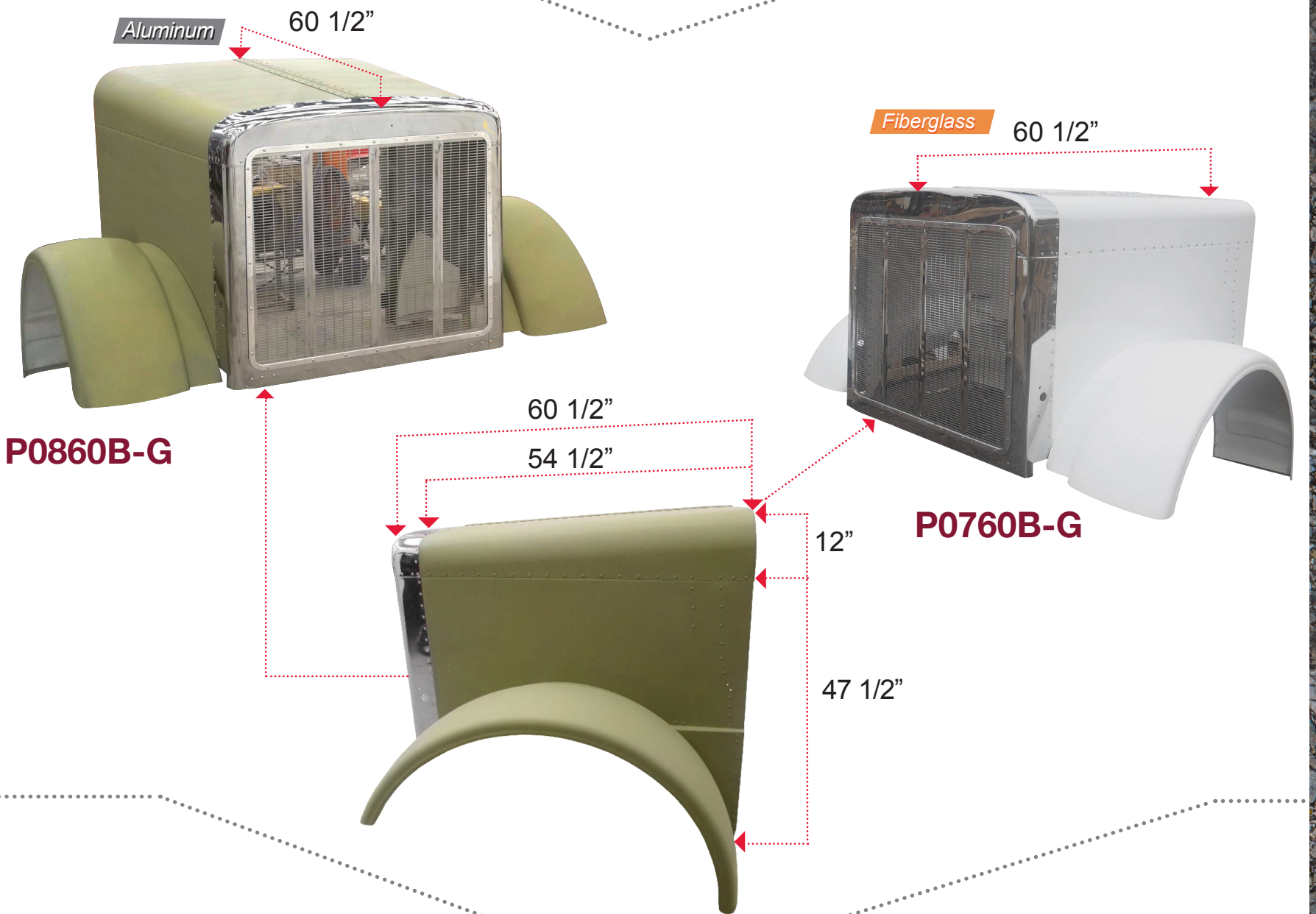
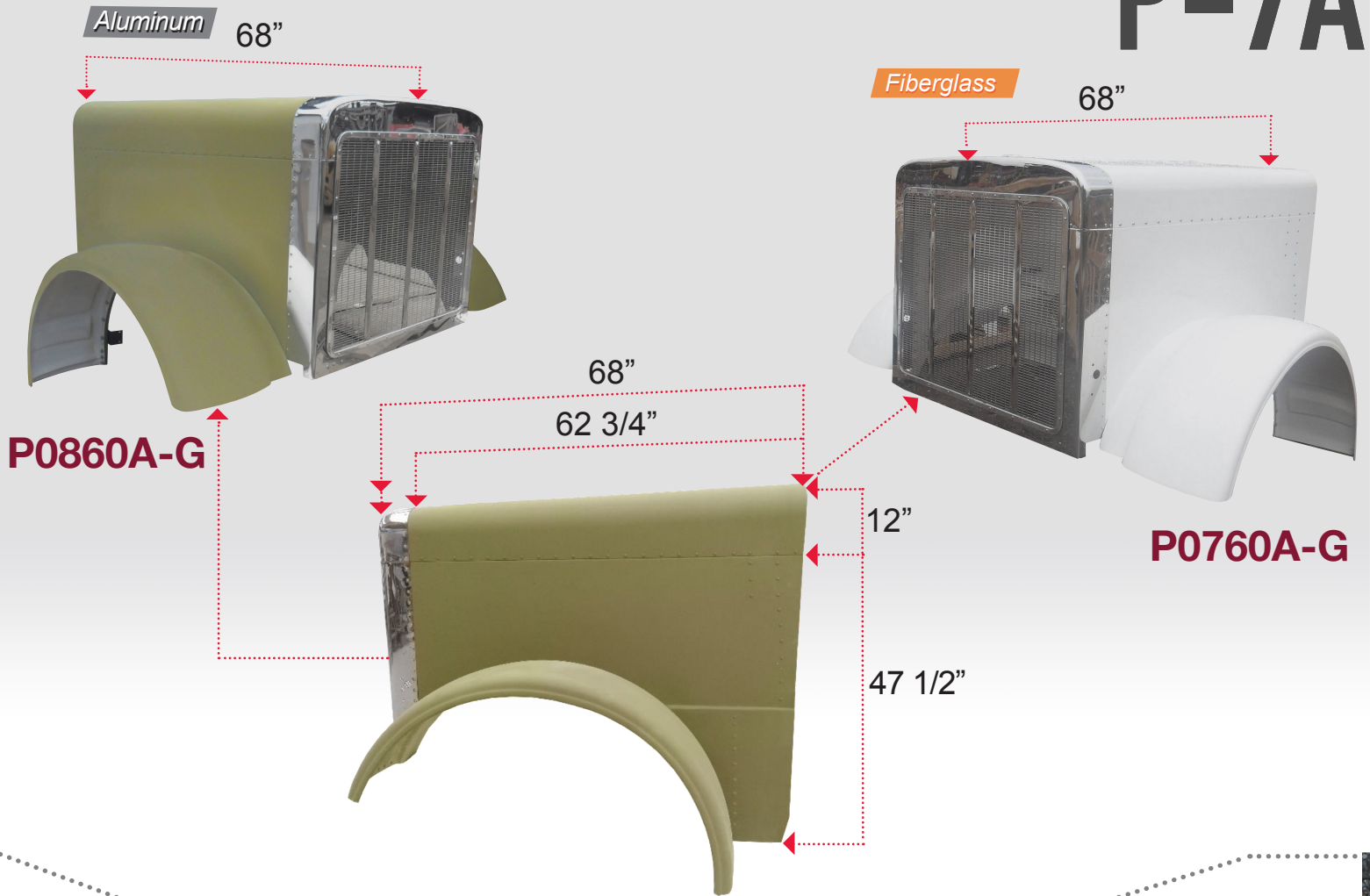
P070860SH-R
Step hood Pet 379 RH side, aluminum.

Aluminum

P070860SH-L
Step hood Pet 379 LH side, aluminum.

PETERBILT

P-7A

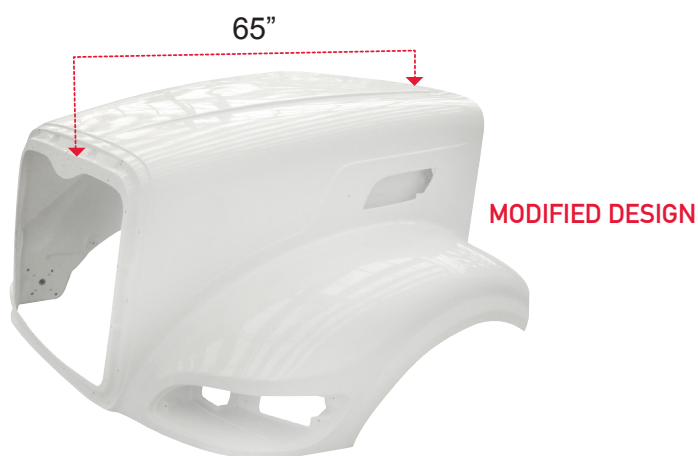




- 01 HOODS
- 02 FENDERS
- 03 GRILLES

THIS IS A TITAN HOODS AFTERMARKET REPLACEMENT PART AND IT IS IN NO WAY AFFILIATED OR SOURCED FROM OR FOR THE OEM MANUFACTURER.

01 HOODS



P1160A-M

Peterbilt 386
2006 and up.
Tear drop OE headlamp.
OEM Number: L29-6039, L29-6036, L29-6094-10010,
L29-6184-20000, L29-6117.

BUYING THE RIGHT PART: TO THE BEST OF OUR KNOWLEDGE, ALL CROSS REFERENCE, APPLICATION INFORMATION AND PHOTOS ARE ACCURATE.

02 FENDERS

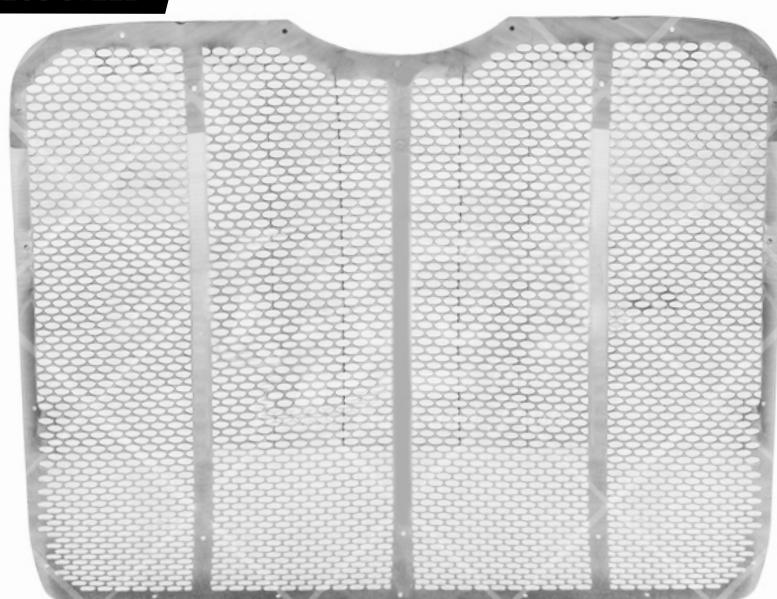
Fiberglass



P1160A-DEF
Pet 386 bumper fiberglass.

03 GRILLES

STAINLESS STEEL



PG1160A
Pet 386 grille stainless mesh.

PETERBILT

PET 379 HOOD PARTS

EXTENDED & SHORT

P-9



01 TOP PANELS **02** SIDE PANELS **03** BRIDGES **04** FENDERS **05** OTHER PARTS

THIS IS A TITAN HOODS AFTERMARKET REPLACEMENT PART AND IT IS IN NO WAY AFFILIATED OR SOURCED FROM OR FOR THE OEM MANUFACTURER.

01 TOP PANELS

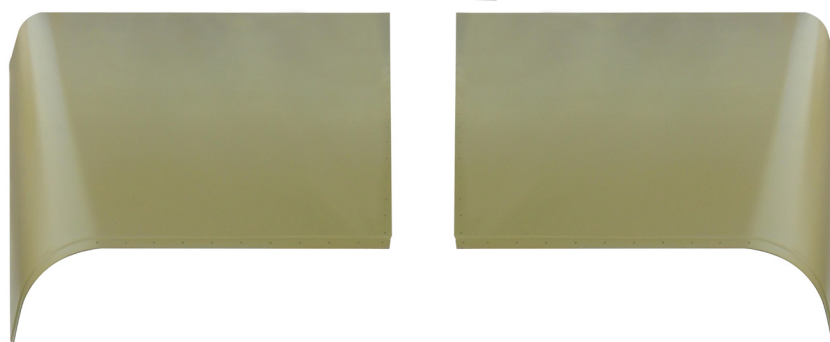
Aluminum

P0860A-TPR

Pet 379 extended top panel for hood RH side, aluminum.

P0860B-TPR

Pet 379 short top panel for hood RH side.



P0860A-TPL

Pet 379 extended top panel for hood LH side.

P0860B-TPL

Pet 379 short top panel for hood RH side.

02 SIDE PANELS

Aluminum

P0860A-SPR

Pet 379 extended side panel for hood RH side.

P0860A-SPR-F

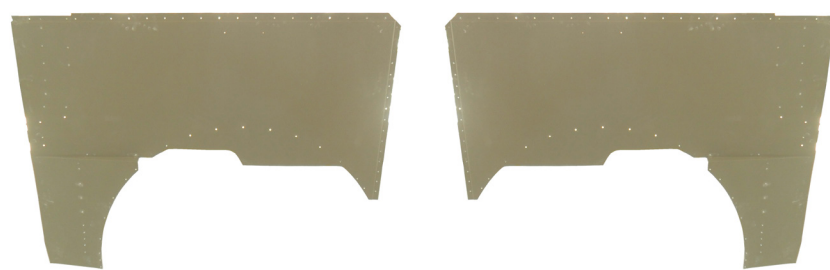
Pet 379 extended side panel for hood with interior fiberglass reinforcements RH side.

P0860B-SPR

Pet 379 short side panel for hood RH side.

P0860B-SPR-F

Pet 379 short side panel for hood with interior fiberglass reinforcements RH side.



P0860A-SPL

Pet 379 extended side panel for hood LH side.

P0860A-SPL-F

Pet 379 extended side panel for hood with interior fiberglass reinforcements LH side.

P0860B-SPL

Pet 379 short side panel for hood LH side.

P0860B-SPL-F

Pet 379 short side panel for hood with interior fiberglass reinforcements LH side.

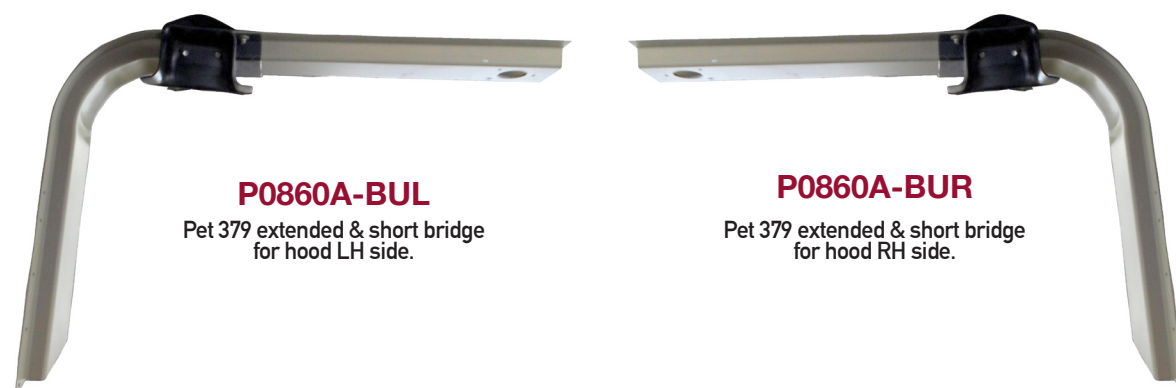
03 BRIDGES

P0860A-BUL

Pet 379 extended & short bridge for hood LH side.

P0860A-BUR

Pet 379 extended & short bridge for hood RH side.



04 FENDERS

RTM
SINGLE WALL

P0760L-FG-SW TM
Pet 379 / 357 / 378
fiberglass fender
single wall LH.

P0760R-FG-SW TM
Pet 379 / 357 / 378
fiberglass fender
single wall RH.

CP0760P-L6
Custom Peterbilt 378/379
front fender 6"
sidewall pair.

RTM



P0760R-FGP
Pet 379 / 357 / 378
Peterbilt Fender RH
Double wall.

RTM

DOUBLE WALL

P0760L-FGP
Pet 379 / 357 / 378
Peterbilt Fender LH
Double wall.

05 OTHER PARTS

195

Peterbilt
357 / 377 / 378
/ 379 / 385.
Kit of bolts.



Aluminum

P070860SH-R
Step hood Pet 379
RH side, aluminum.

P070860SH-L
Step hood Pet 379
LH side, aluminum.



PETERBILT

387 (1999 THRU 2010)

P-10



- 01 HOODS** **02 SIDE FAIRINGS** **03 EXTENSIONS** **04 BUMPERS**

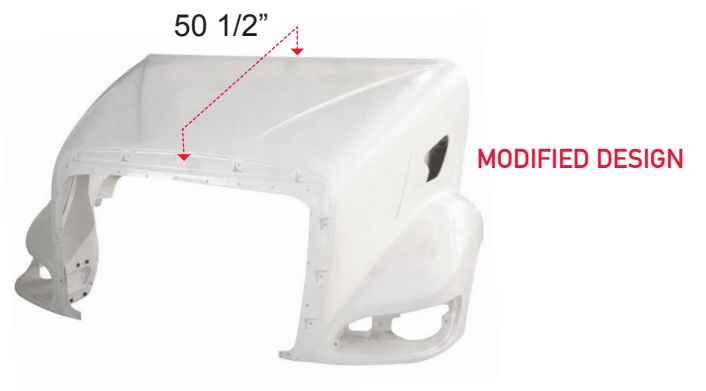
THIS IS A TITAN HOODS AFTERMARKET REPLACEMENT PART AND IT IS IN NO WAY AFFILIATED OR SOURCED FROM OR FOR THE OEM MANUFACTURER.

01 HOODS



P126A0A-M

Peterbilt 387 Long.
1999 thru 2010.
OEM Number:13-04771, 13-04777, 13-04778 .



P1260B-M

Peterbilt 387 Short.
1999 thru 2010.

BUYING THE RIGHT PART: TO THE BEST OF OUR KNOWLEDGE, ALL CROSS REFERENCE, APPLICATION INFORMATION AND PHOTOS ARE ACCURATE.

02 SIDE FAIRINGS

P1112R-R
(IMAGE SHOWN)
Pet 387
Side fairing
end cap RH.



P1112M-R
(IMAGE SHOWN)
Pet 387 Center
Side fairing RH.



P1112F2-R
(IMAGE SHOWN)
Pet 387
Second section front
Side fairing RH.



P1260FF-R
(IMAGE SHOWN)
Pet. 387
Fender extension RH.



P1260FF-L
Pet. 387
Fender extension LH.

P1112F1-R
(IMAGE SHOWN)
Pet 387 First section
front Side fairing RH.



P1112BC-X
Pet. 386/387 battery's
cover (Both side).

P1112R-L
Pet 387
Side fairing
end cap LH.

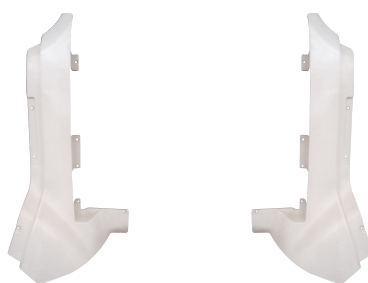
P1112M-L
Pet 387 Center
Side fairing LH.

P1112F2-L
Pet 387 Second section
front Side fairing LH.

P1112F1-L
Pet 387 First section
front Side fairing LH.

03 EXTENSIONS

P1260EXT-R
Pet 387
Side fairing end cap RH.



P1260EXT-L
Pet 387
Side fairing end cap LH.

04 BUMPERS

Chrome



P1852
Peterbilt 387 bumper 16".



TITANHOODS

TRACTOCAMIONES Y REPRESENTACIONES S.A. DE C.V.
COFRES Y PARTES DE COLISION · HOODS AND COLLISION PARTS

www.titanhoods.com.mx